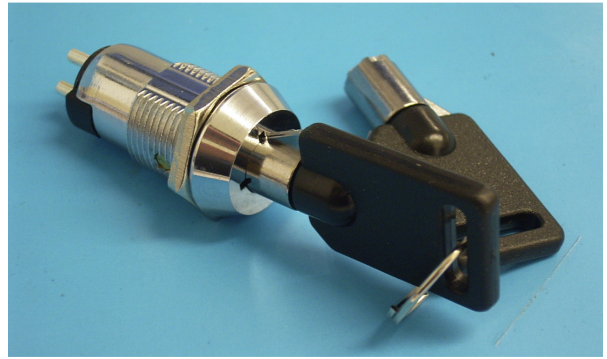


# S16 RADIAL PIN LOCK SWITCHES

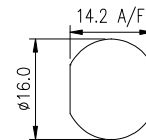
## GENERAL ELECTRICAL & MECHANICAL SPECIFICATION

Switch Rating	1A @ 24V DC
Life:	>10,000 Cycles
Operating Temperature	-20° to +65° C
Proof Voltage:	500Vdc (Initial)
Insulation Resistance:	>999MΩ at 500Vdc(Initial)

**RoHS COMPLIANT**

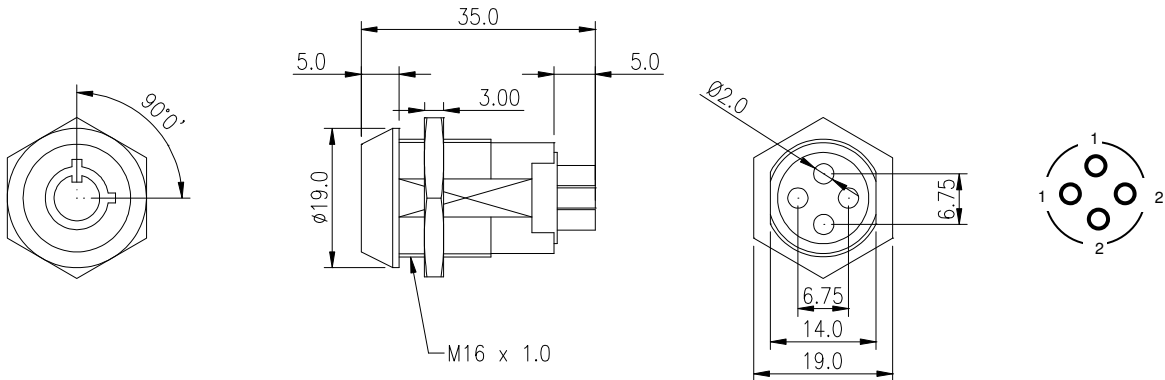


PANEL PIERCING DETAILS



## GENERAL FEATURES

- Tapered lock head front panel mount
- Single pole, Dual throw lock switch, 90° indexing
- Bright Chrome plated zinc alloy die cast housing
- Key insertion/removal in one or both positions
- Radial cylinder with 7 pin tumblers
- Same key or 100 differ key option



ORDERING CODE	KEY OUT	KEY No	KEY TRAVEL	CONTACT POSITION
S16-A-S-2	0° & 90°	SAME	90°	
S16-A-D-2	0° & 90°	DIFFER	90°	
S16-B-S-2	0°	SAME	90°	
S16-B-D-2	0°	DIFFER	90°	